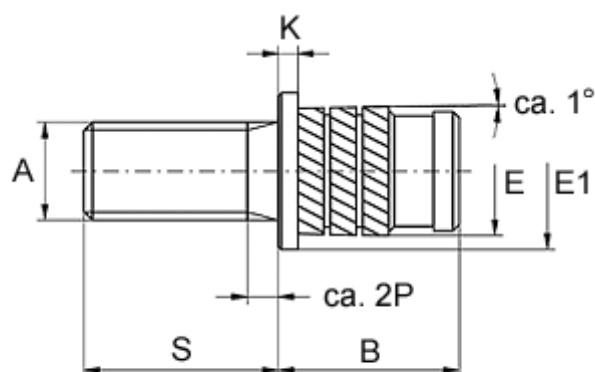


Data Sheet



Article number: 12857000050860
Description: KLEE-coil 857 000 050.860
M5 Brass

Measures



Gevindlængde = $S - 2P$
P = stigning

Flange diameter E1	= 8.0
Flange height	= 1.0
Male thread A	= M5x0,8
Min distance to edge	= 2.5
Mounting length B	= 8.3
Outer diameter E	= 6.60
Pin length S	= 16
Recommended bore diameter	= 6.2